

SECTION E-E

SCALE 1.5 : 1

UNLESS OTHERWISE SPECIFIED:
DIMENSIONS ARE IN MILLIMETERS

UNLESS OTHERWISE SPECIFIED, TOLERANCES:
LINEAR: DIMENSIONS UNDER 15 MM ± 0.3
DIMENSIONS 15 MM AND OVER ± 1
ANGULAR: ±0.5°

REMOVE ALL BURRS AND SHARP EDGES
0.50 RADIUS OR CHAMFER MAX

MATERIAL: BRASS, STEEL, RUBY AGATE

TITLE:
PRECISION OILER

 CLICKSPRINGPROJECTS.COM A4

PROJECT MATERIALS LIST

Use nearest Imperial equivalent as appropriate.
Use desired material (Brass, wood, aluminum etc).


- 100mm x 1.0mm Blued Pivot Steel
- 100mm x 1.5mm Blued Pivot Steel
- 48.0mm x 13.0mm Round
- 42.0mm x 30.0mm Round
- 25.4mm x 70.0mm Round
- 4.78mm x 135mm Hex Rod

• Jewel Cups:

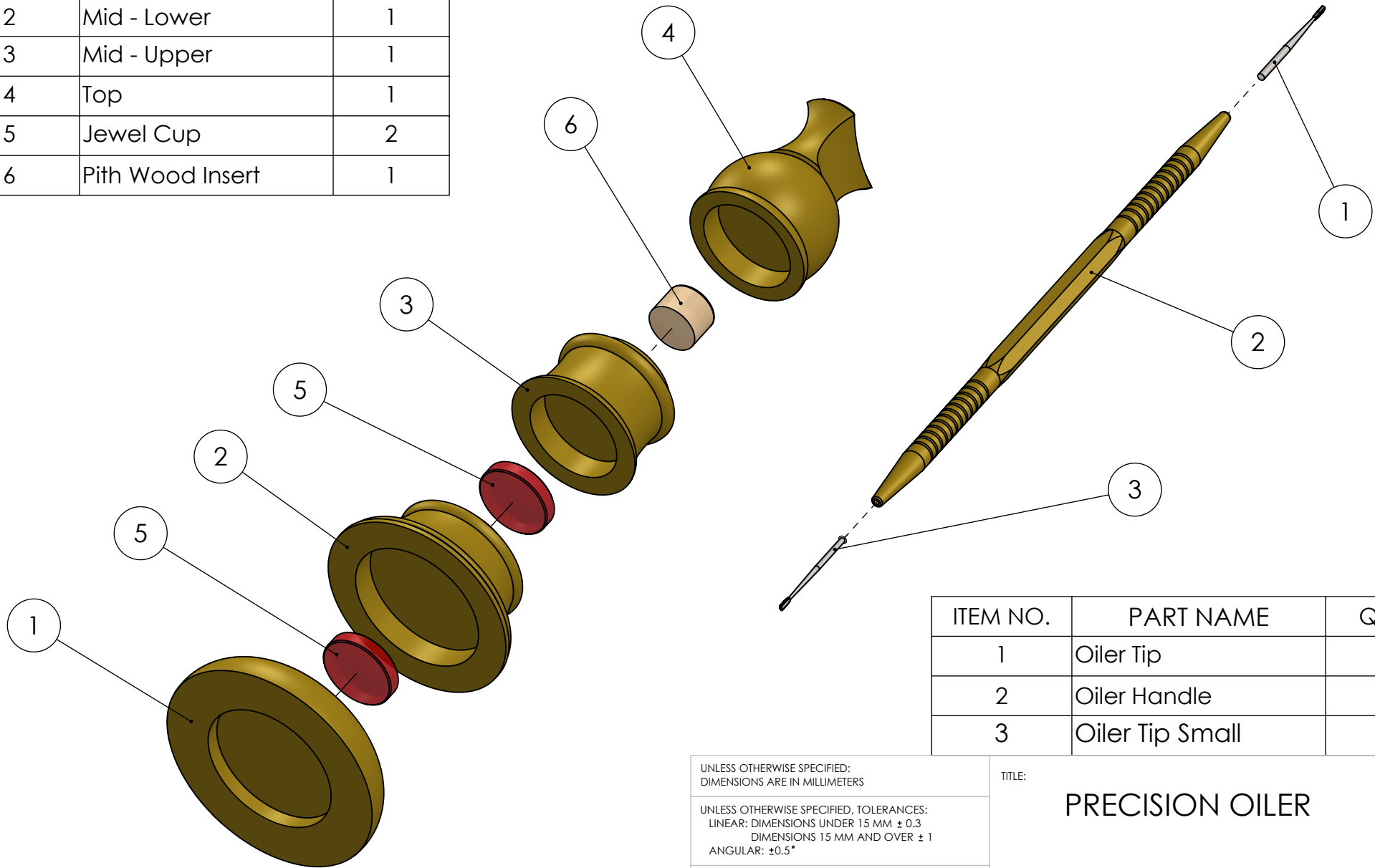
- BERGEON Product ID:
- BERG-30180-AG-10MM
 - BERG-30180-AG-9MM

As of FEB 2019 available from www.ofrei.com

- Watchmakers Pith wood as required (can be sourced on Ebay)

UNLESS OTHERWISE SPECIFIED: DIMENSIONS ARE IN MILLIMETERS	TITLE: PRECISION OILER	
UNLESS OTHERWISE SPECIFIED, TOLERANCES: LINEAR: DIMENSIONS UNDER 15 MM ± 0.3 DIMENSIONS 15 MM AND OVER ± 1 ANGULAR: ±0.5°		
REMOVE ALL BURRS AND SHARP EDGES 0.50 RADIUS OR CHAMFER MAX		
MATERIAL: BRASS, STEEL, RUBY AGATE		CLICKSPRINGPROJECTS.COM A4
COPYRIGHT © CLICKSPRING 2019	SCALE:	SHEET 2 OF 11

ITEM NO.	PART NUMBER	QTY.
1	Base	1
2	Mid - Lower	1
3	Mid - Upper	1
4	Top	1
5	Jewel Cup	2
6	Pith Wood Insert	1



ITEM NO.	PART NAME	QTY.
1	Oiler Tip	1
2	Oiler Handle	1
3	Oiler Tip Small	1

UNLESS OTHERWISE SPECIFIED:
DIMENSIONS ARE IN MILLIMETERS

UNLESS OTHERWISE SPECIFIED, TOLERANCES:
LINEAR: DIMENSIONS UNDER 15 MM ± 0.3
DIMENSIONS 15 MM AND OVER ± 1
ANGULAR: $\pm 0.5^\circ$

REMOVE ALL BURRS AND SHARP EDGES
0.50 RADIUS OR CHAMFER MAX

MATERIAL: BRASS, STEEL, RUBY AGATE

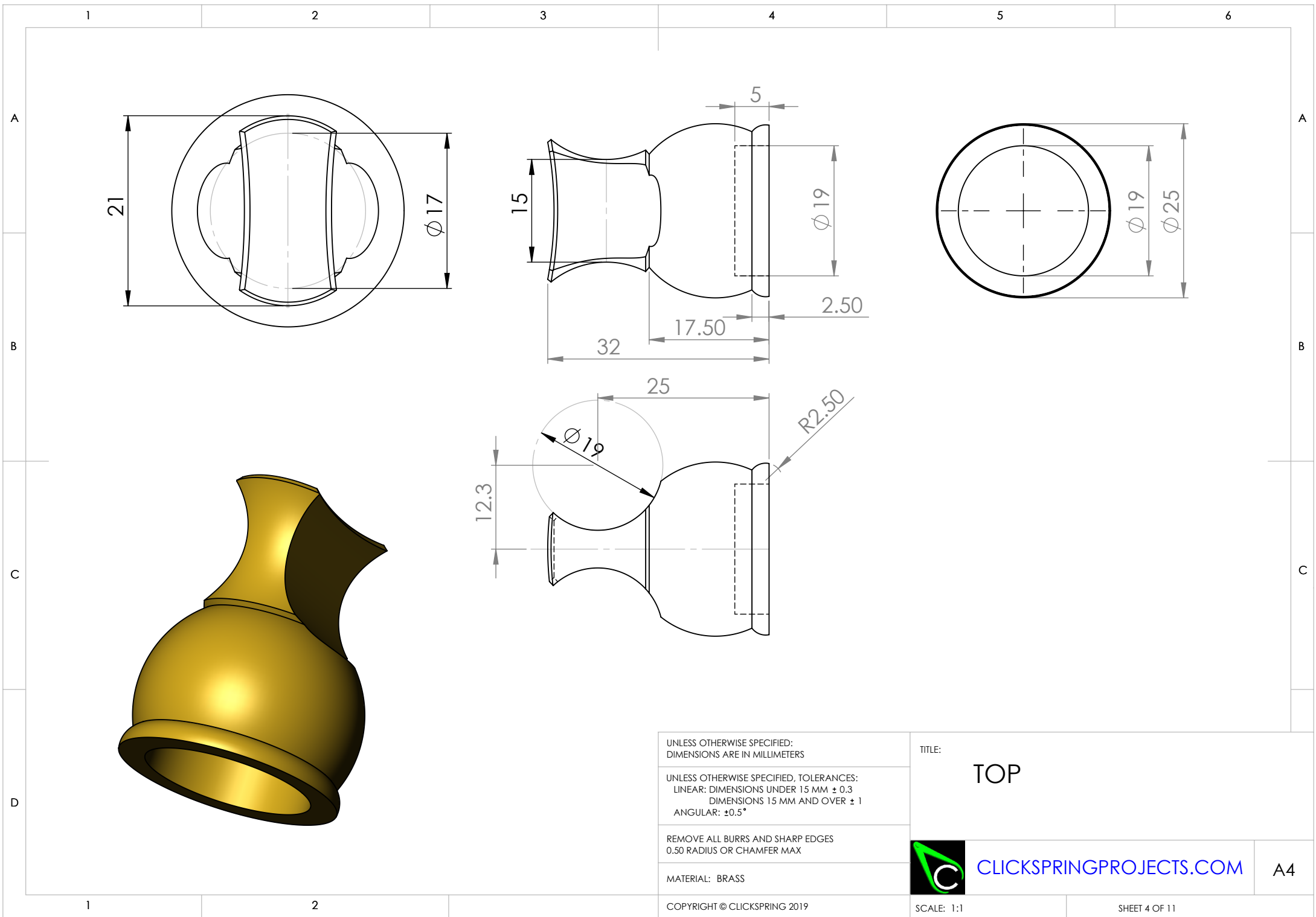
TITLE:

PRECISION OILER



CLICKSPRINGPROJECTS.COM

A4



UNLESS OTHERWISE SPECIFIED:
DIMENSIONS ARE IN MILLIMETERS

UNLESS OTHERWISE SPECIFIED, TOLERANCES:
LINEAR: DIMENSIONS UNDER 15 MM ± 0.3
DIMENSIONS 15 MM AND OVER ± 1
ANGULAR: $\pm 0.5^\circ$

REMOVE ALL BURRS AND SHARP EDGES
0.50 RADIUS OR CHAMFER MAX

MATERIAL: BRASS

COPYRIGHT © CLICKSPRING 2019

TITLE:
TOP

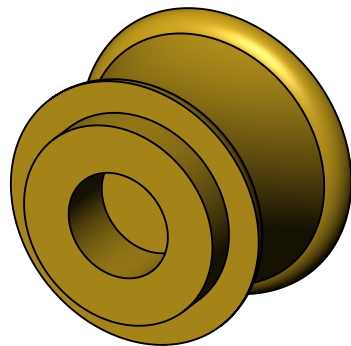
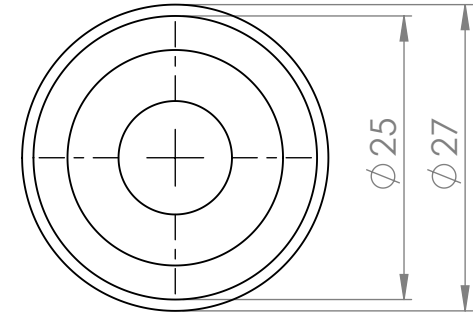
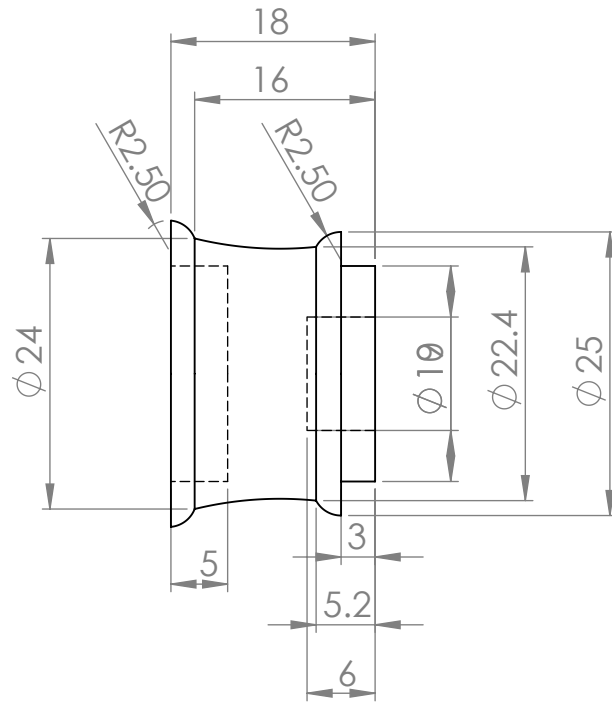
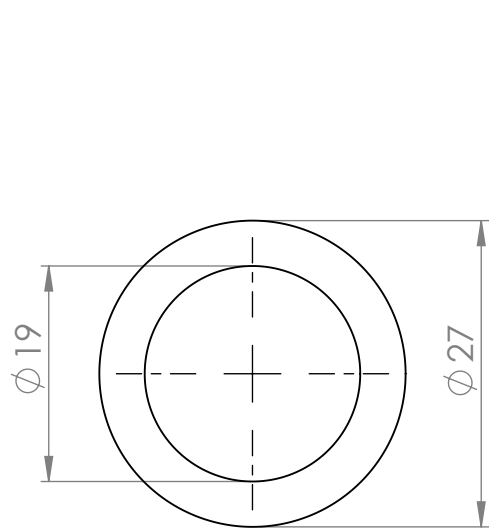


CLICKSPRINGPROJECTS.COM

A4

SCALE: 1:1

SHEET 4 OF 11



UNLESS OTHERWISE SPECIFIED:
DIMENSIONS ARE IN MILLIMETERS

UNLESS OTHERWISE SPECIFIED, TOLERANCES:
 LINEAR: DIMENSIONS UNDER 15 MM ± 0.3
 DIMENSIONS 15 MM AND OVER ± 1
 ANGULAR: $\pm 0.5^\circ$

REMOVE ALL BURRS AND SHARP EDGES
0.50 RADIUS OR CHAMFER MAX

MATERIAL: BRASS

COPYRIGHT © CLICKSPRING 2019

TITLE:

MID UPPER



CLICKSPRINGPROJECTS.COM

A4

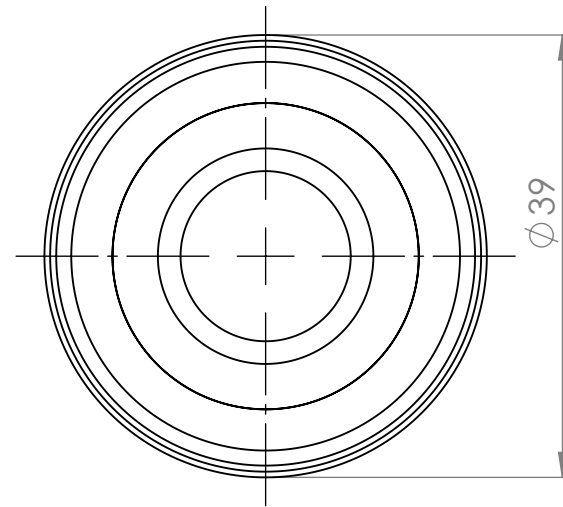
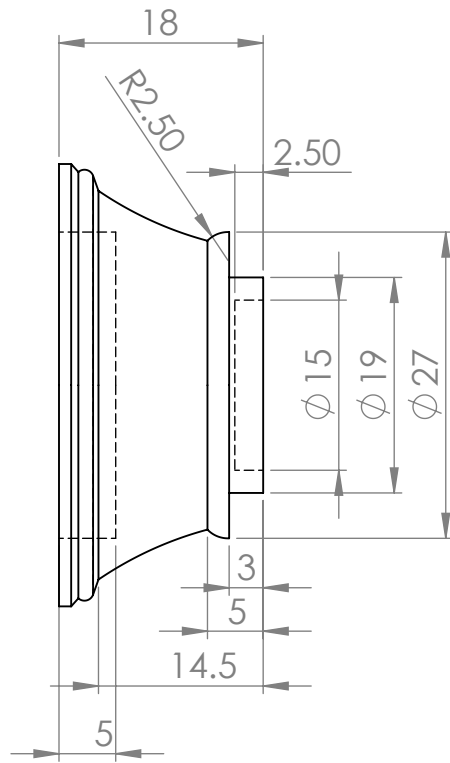
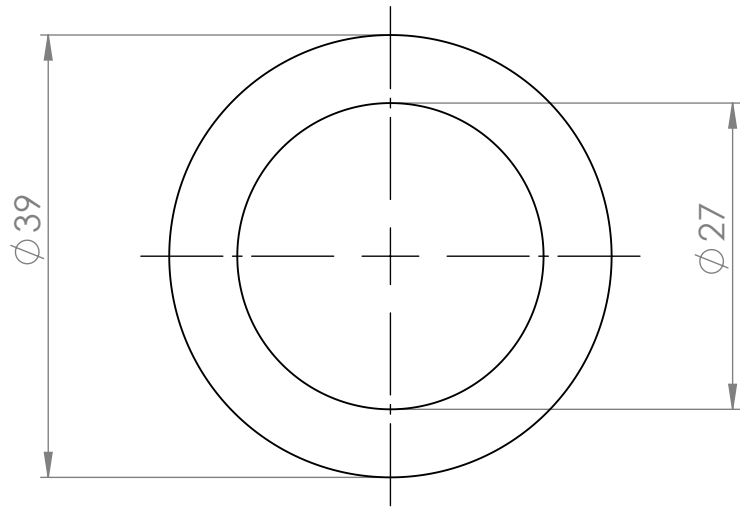
SCALE:

SHEET 5 OF 11

1 2 3 4 5 6

A

A



B

B

C

C



D

UNLESS OTHERWISE SPECIFIED:
DIMENSIONS ARE IN MILLIMETERS

TITLE:

UNLESS OTHERWISE SPECIFIED, TOLERANCES:
LINEAR: DIMENSIONS UNDER 15 MM ± 0.3
DIMENSIONS 15 MM AND OVER ± 1
ANGULAR: $\pm 0.5^\circ$

MID LOWER

REMOVE ALL BURRS AND SHARP EDGES
0.50 RADIUS OR CHAMFER MAX



CLICKSPRINGPROJECTS.COM

A4

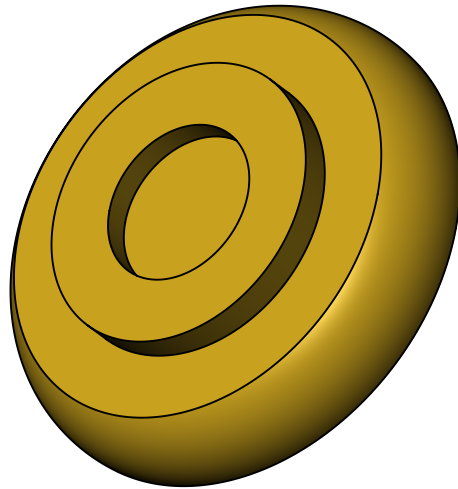
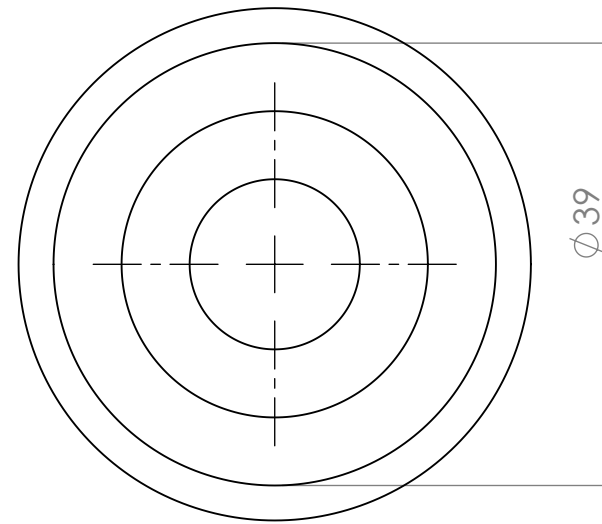
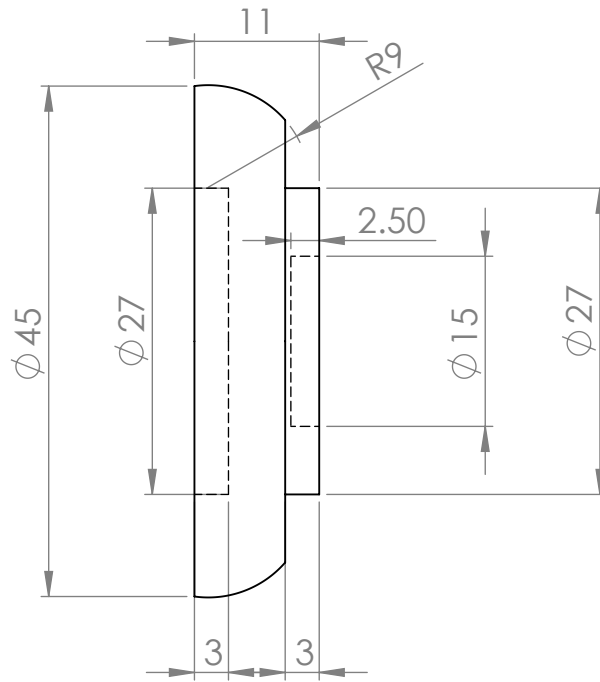
MATERIAL: BRASS

COPYRIGHT © CLICKSPRING 2019

SCALE:

SHEET 6 OF 11

1 2 3 4 5 6



UNLESS OTHERWISE SPECIFIED:
DIMENSIONS ARE IN MILLIMETERS

UNLESS OTHERWISE SPECIFIED, TOLERANCES:
LINEAR: DIMENSIONS UNDER 15 MM ± 0.3
DIMENSIONS 15 MM AND OVER ± 1
ANGULAR: $\pm 0.5^\circ$

REMOVE ALL BURRS AND SHARP EDGES
0.50 RADIUS OR CHAMFER MAX

MATERIAL: BRASS

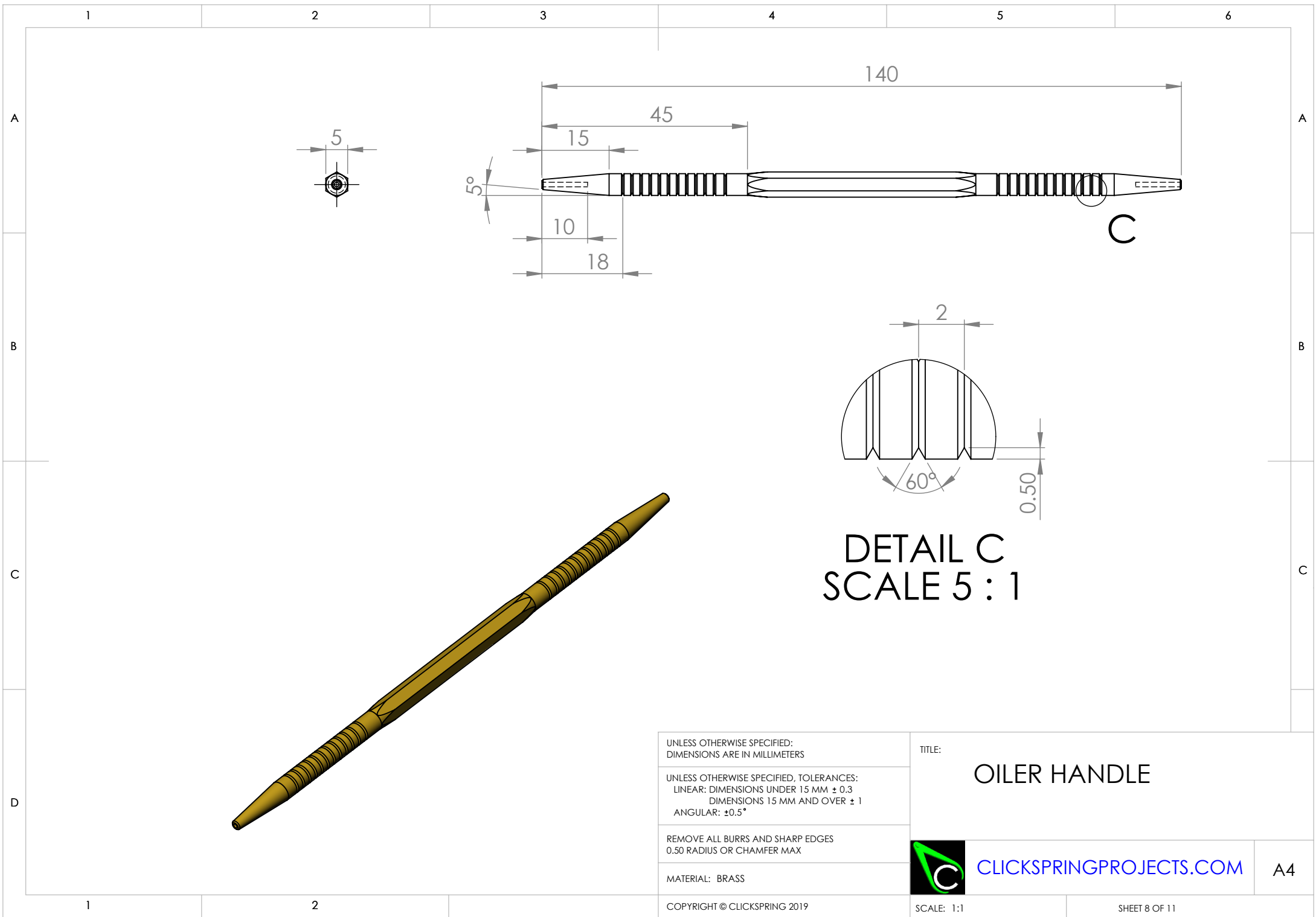
TITLE:

BASE



CLICKSPRINGPROJECTS.COM

A4



DETAIL C
SCALE 5 : 1

UNLESS OTHERWISE SPECIFIED:
DIMENSIONS ARE IN MILLIMETERS

UNLESS OTHERWISE SPECIFIED, TOLERANCES:
LINEAR: DIMENSIONS UNDER 15 MM ± 0.3
DIMENSIONS 15 MM AND OVER ± 1
ANGULAR: ±0.5°

REMOVE ALL BURRS AND SHARP EDGES
0.50 RADIUS OR CHAMFER MAX

MATERIAL: BRASS

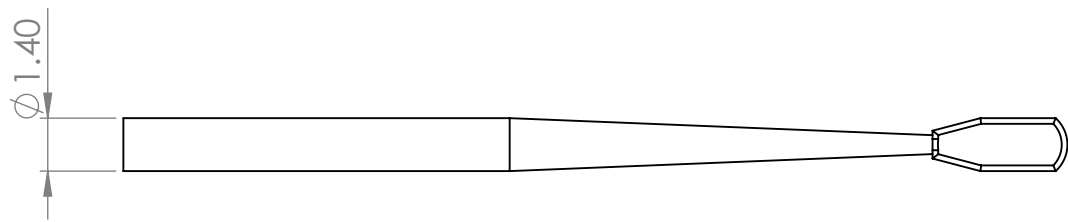
TITLE: OILER HANDLE

 CLICKSPRINGPROJECTS.COM A4

1 2 3 4 5 6

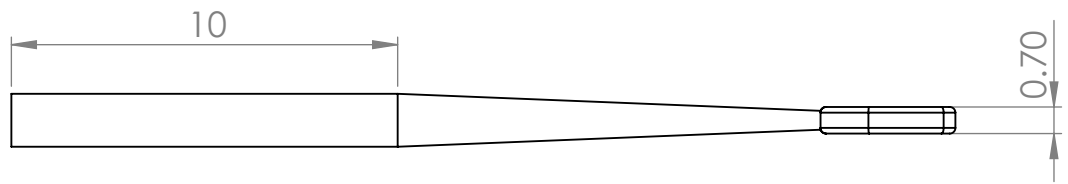
A

A



NOTES, UNLESS OTHERWISE SPECIFIED:

- 1. DIMENSIONS NOMINAL, SHAPE AS REQUIRED FROM PIVOT STEEL, REFER VIDEO.

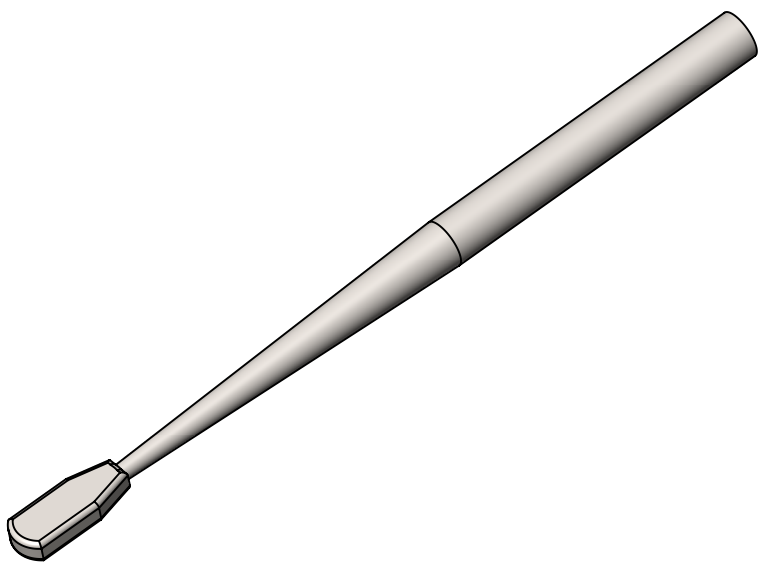


B

B

C

C



D

D

1 2 3 4 5 6

UNLESS OTHERWISE SPECIFIED:
DIMENSIONS ARE IN MILLIMETERS

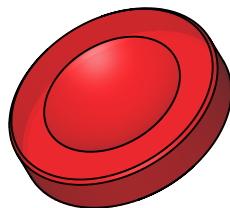
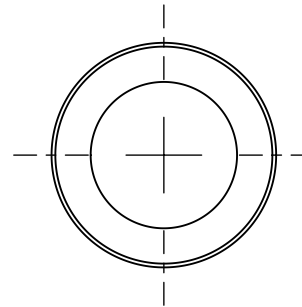
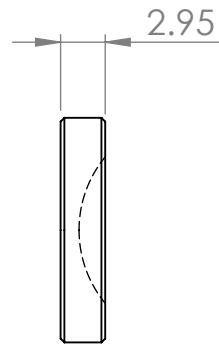
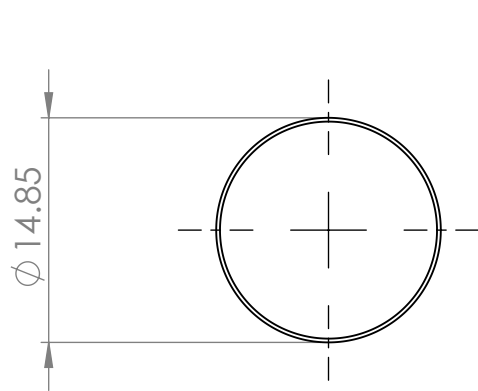
UNLESS OTHERWISE SPECIFIED, TOLERANCES:
LINEAR: DIMENSIONS UNDER 15 MM ± 0.3
DIMENSIONS 15 MM AND OVER ± 1
ANGULAR: $\pm 0.5^\circ$

REMOVE ALL BURRS AND SHARP EDGES
0.50 RADIUS OR CHAMFER MAX

MATERIAL: PLAIN CARBON STEEL

TITLE: OILER NIB

 CLICKSPRINGPROJECTS.COM A4



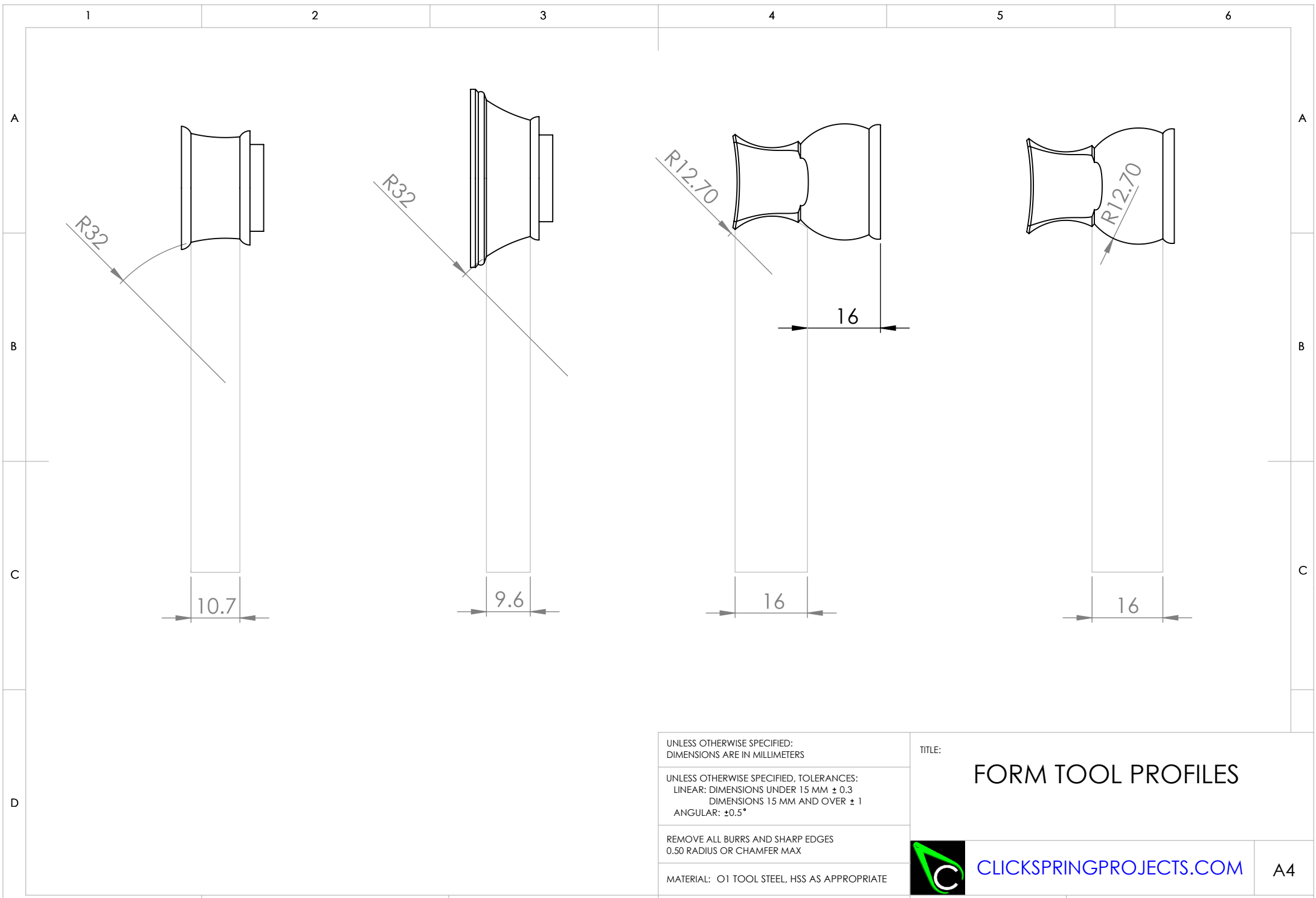
NOTES, UNLESS OTHERWISE SPECIFIED:

1. BERGEON Product ID:
 - BERG-30180-AG-10MM
 - BERG-30180-AG-9MM

As of FEB 2019 available from www.ofrei.com

UNLESS OTHERWISE SPECIFIED: DIMENSIONS ARE IN MILLIMETERS
UNLESS OTHERWISE SPECIFIED, TOLERANCES: LINEAR: DIMENSIONS UNDER 15 MM ± 0.3 DIMENSIONS 15 MM AND OVER ± 1 ANGULAR: $\pm 0.5^\circ$
REMOVE ALL BURRS AND SHARP EDGES 0.50 RADIUS OR CHAMFER MAX
MATERIAL: AGATE RUBY

TITLE: JEWEL CUP	 CLICKSPRINGPROJECTS.COM	A4




UNLESS OTHERWISE SPECIFIED:
DIMENSIONS ARE IN MILLIMETERS

UNLESS OTHERWISE SPECIFIED, TOLERANCES:
LINEAR: DIMENSIONS UNDER 15 MM ± 0.3
DIMENSIONS 15 MM AND OVER ± 1
ANGULAR: $\pm 0.5^\circ$

REMOVE ALL BURRS AND SHARP EDGES
0.50 RADIUS OR CHAMFER MAX

MATERIAL: O1 TOOL STEEL, HSS AS APPROPRIATE

TITLE: **FORM TOOL PROFILES**

 CLICKSPRINGPROJECTS.COM A4